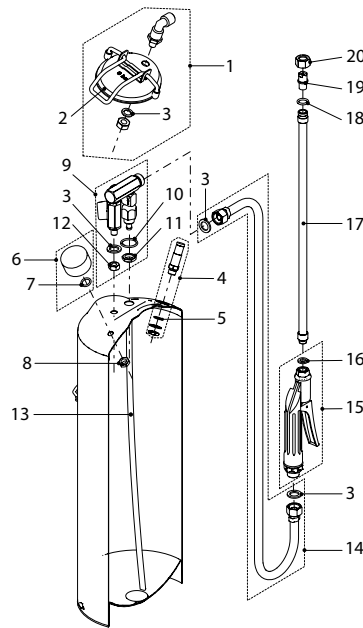




Foam Cleaner 20



Foam Cleaner 20, incl. hose 4 m *		11672005	122359
<b>Accessories</b>			
	Hose 6 m, G1/2"-G1/2"	10834215	710365
	Hose 8 m, G1/2"-G1/2"	10834216	710372
	Spray tube complete, 1 m, high-grade steel G1/4"-G3/8"e	11544902	113197
	Connection G1/4"-G3/8"i, to connect extensions	11811802	113203
<b>No</b>	<b>Gasket set consisting of:</b>	11680101	720807
3	Gasket 17x11x1.5		
5	O-ring 12.42x1.78		
7	Gasket 14x9.7x1.5		
10	O-ring 17.17x1.78		
16	Gasket 11.9x7x3		
18	O-ring 10x2		
<b>No</b>	<b>Spare parts</b>		
1	Filler cap	11654101	720791
2	O-ring 86x6	50117140	701141
4	Safety and relief valve, 6 bar	11696201	110974
6	Manometer G1/8" chemically nickel-plated	11665001	110790
8	Hexagon nut G1/8", <b>minimum order qty. 5 pcs</b>	10806101	701073
9	Mixing valve	12031701	720777
	Spare part set for mixing unit (tap compl., handwheel and shield)	12061101	150482
11	Hexagon nut G3/8" vni, <b>minimum order qty. 5 pcs</b>	41208702	110882
12	Hexagon nut M10x1 A4, <b>minimum order qty. 5 pcs</b>	11647001	720784
13	Suction tube L = 715 mm	11468201	110981
14	Hose 4 m, G1/2"-G1/2"	10834214	710358
15	Trigger Profi G1/2"	10966110	040097
	<i>Gasket set for trigger</i>	11664910	040851
16	Gasket 12.2x7x3; 12 pcs per pack	11642404	040042
17	Spraying tube 45 cm straight, stainless steel, G1/4"-G3/8"e	11544901	710389
19	Fanjet nozzle TP 6540-SS	11582701	100319
20	Skirted nut G3/8", <b>minimum order qty. 5 pcs</b>	42003802	701127

\* Different discount rate for large units